

## RS485HUB Multi-bus Server (HUB & Repeater & Converter)

### Manual (RS485/232---4\*RS485)

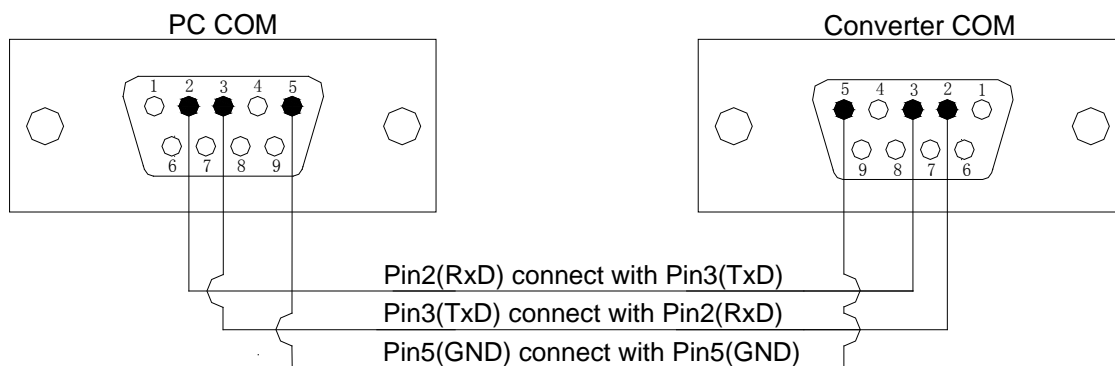
#### 1. Introduction

RS485HUB is a kind of Hub for RS485, it is Keyking' s new product for satisfying the demands for more requirements of RS-485 in some special circumstances. It is can be called Multi-bus Server, it can transform 1 pcs RS485 to 4 pcs RS485; It is also can worked as a repeater to extend the transmission distance to more 1200 meters. There is a external power supply as accessory. At the same time, it has the features of small dimension, long transmission distance, automatically velocity, and stable function.

#### 2. Features

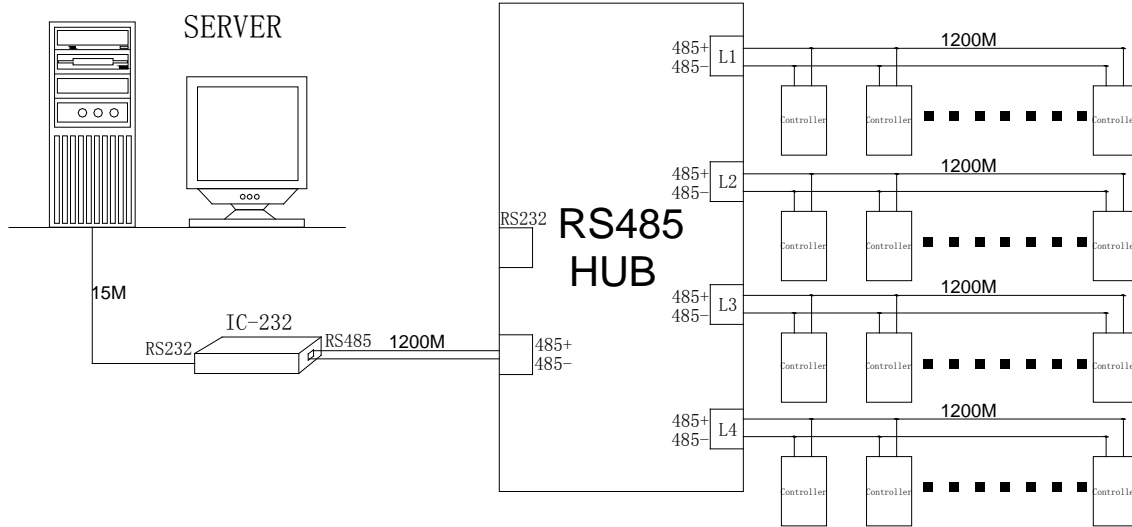
- Velocity: 0-115200bps, Transmission Distance: 1200m (9600bps/h)。
- Temperature: -30°C- 70°C, Humidity: 5% -95%。
- Easy to change the structures of the RS485 to improve the communication quality.
- Easy to applying for the difficult electromagnetic circumstance.
- Adopt photo-electricity -Isolation Technology to avoid the damage of the thunder.
- It can be connected onhe by one.

#### 3. Pin definition for RS232 cable

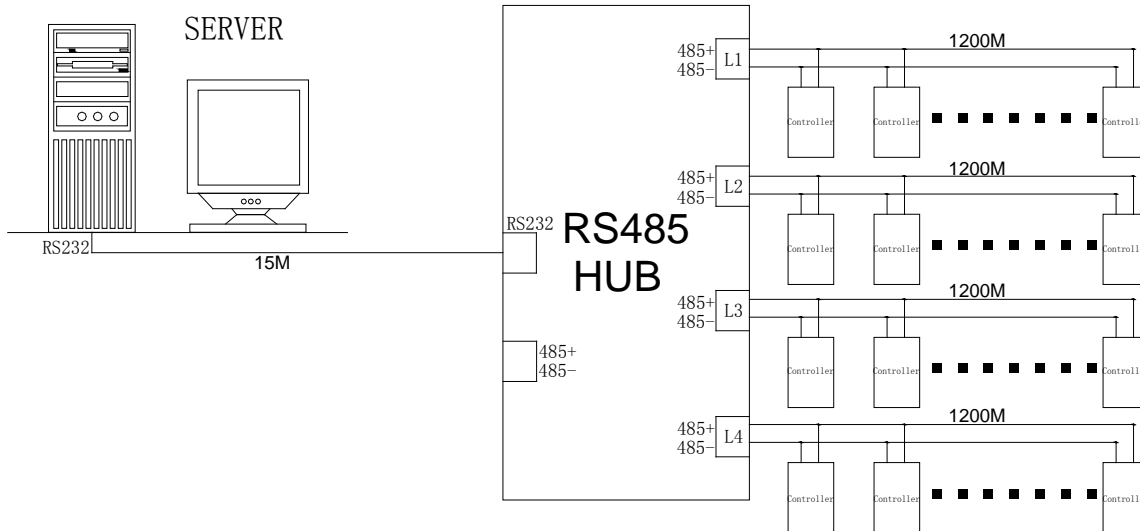


#### 4. Work Mode

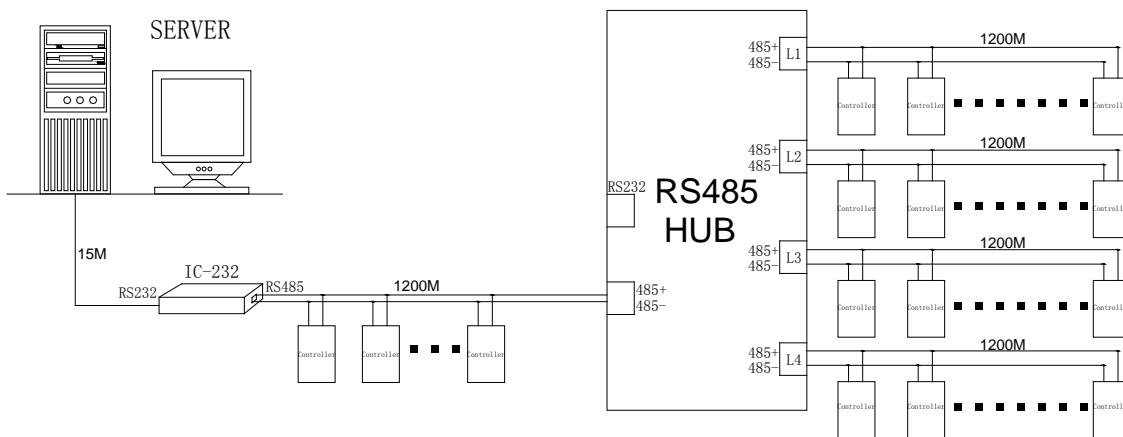
Mode 1: RS485 HUB: RS485---4\*RS485 (1 Piece RS485 to 4 PCS RS485) ;



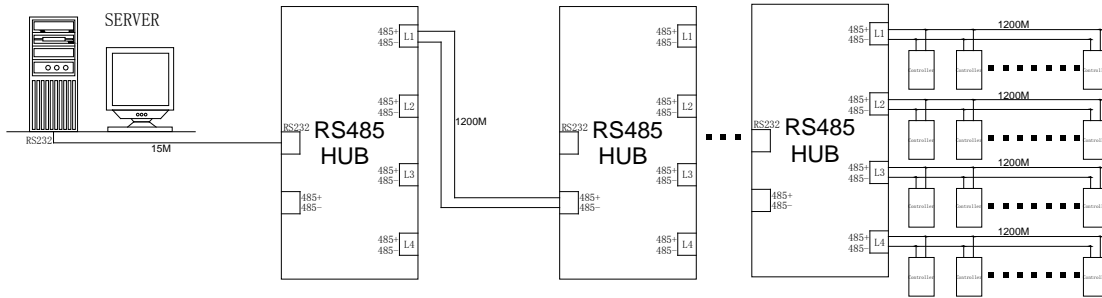
Mode 2: RS485 HUB + RS485/232 Converter: RS232---4\*RS485 (1 \* RS232 to 4 \* RS485);



Mode 3: RS485 Repeater: RS485---RS485;



Mode 4: Multi mode:



### 5. Application field

It is applied for Spot-Spot Communication, any kinds of remote control system, POS, Bank, Insurance, Access control system, Car Parking, Traffic Charge System, Industry Distribution System, PLC, Gas Meter, and etc.

